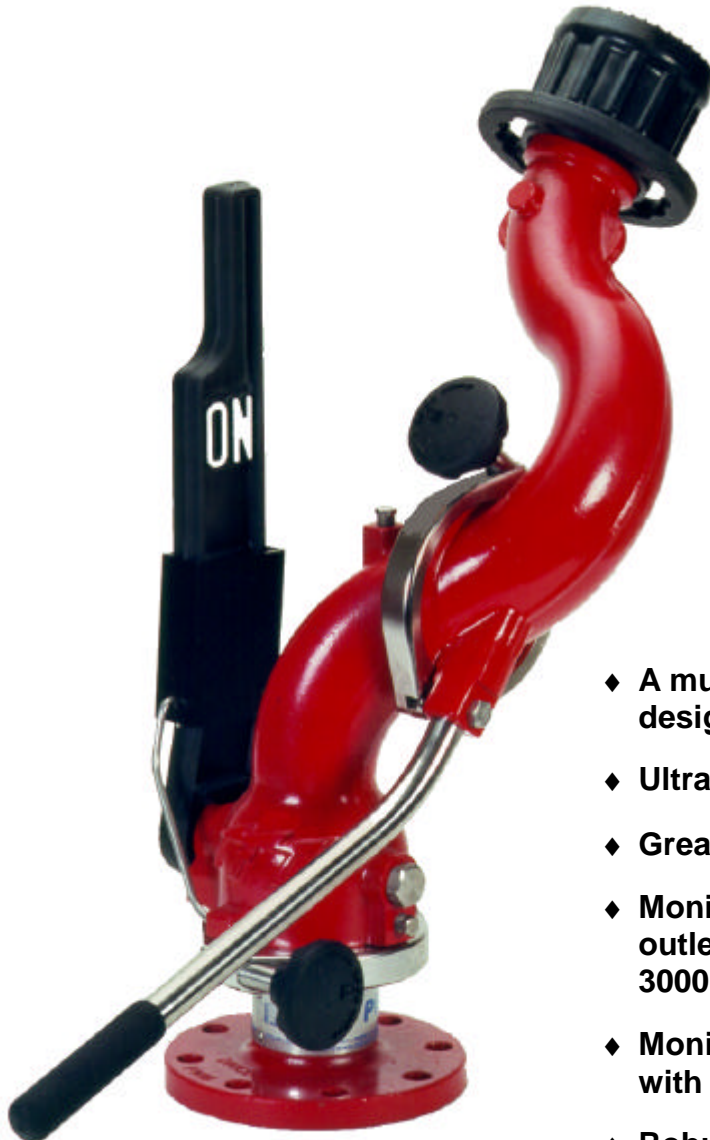


PETRO-JET

GUARANTEE
5
YEARS

MANUALLY OPERATED FIXED MONITOR

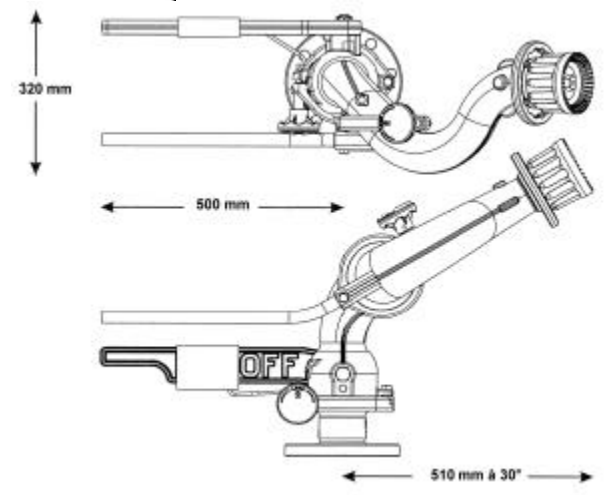
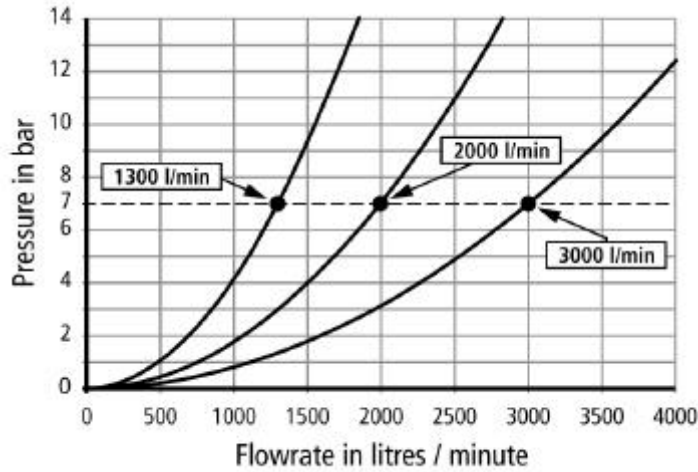
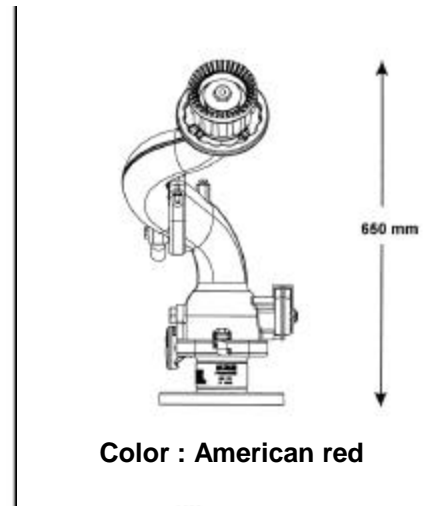
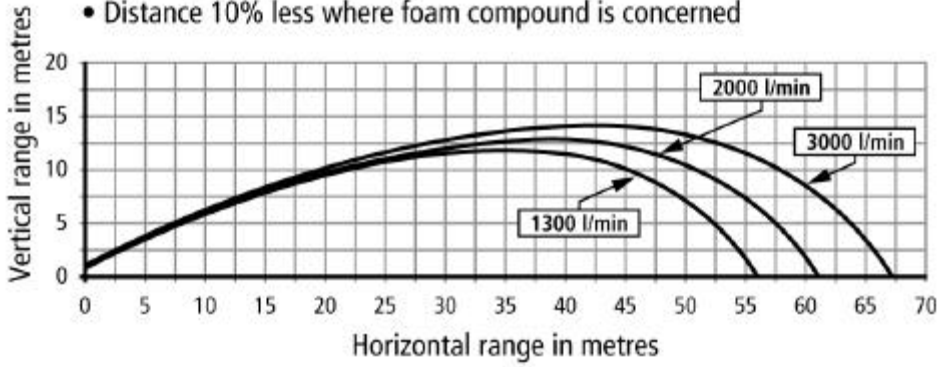
“A revolutionary design which reduces maintenance to a minimum”



- ◆ A multiplicity of versions for a new design !
- ◆ Ultra-reduced maintenance.
- ◆ Greater range.
- ◆ Monitor with 2 ½” threaded outlet or integral nozzle, up to 3000 L/min
- ◆ Monitor with no valve or fitted with ON/OFF indicator valve.
- ◆ Robustly constructed in brass or aluminium.
- ◆ Can be fixed in situ and locked at azimuth without damage to the material.

Test conditions - Pressure 7 bar

- Approximate distance of the jet at an angle of 30°
- Wind speed zero
- Distance 10% less where foam compound is concerned



PETRO-JET

MODEL	PETRO-JET WITH VALVE AND INTEGRAL NOZZLE	PETRO-JET WITH VALVE BUT WITHOUT NOZZLE	PETRO-JET WITHOUT VALVE BUT WITH INTEGRAL NOZZLE	PETRO-JET WITHOUT VALVE OR NOZZLE
ALUMINIUM	W = 18.2 kg	W = 16.3 kg	W = 15.0 kg	W = 13.2 kg
BRASS	W = 35.9 kg	W = 32.7 kg	W = 32.7 kg	W = 29.5 kg

ALUMINIUM	1300 L/MIN	2000 L/MIN	3000 L/MIN	2" 1/2	1300 L/MIN	2000 L/MIN	3000 L/MIN	2" 1/2
PN 16 / DN 80*	I12.00.047	I12.00.029	I12.00.051	I12.00.058	I12.00.049	I12.00.054	I12.00.056	I12.00.060
3" ASA 150 PN 20 / DN 80*	I12.00.006	I12.00.020	I12.00.066	I12.00.082	I12.00.070	I12.00.074	I12.00.078	I12.00.086

BRASS	1300 L/MIN	2000 L/MIN	3000 L/MIN	2" 1/2	1300 L/MIN	2000 L/MIN	3000 L/MIN	2" 1/2
PN 16 / DN 80*	I12.00.048	I12.00.050	I12.00.052	I12.00.059	I12.00.053	I12.00.055	I12.00.057	I12.00.061
3" ASA 150 PN 20 / DN 80*	I12.00.013	I12.00.022	I12.00.068	I12.00.084	I12.00.072	I12.00.076	I12.00.080	I12.00.088

* DN 100 (4 ") on request for flowrates of more than 3000 L/MIN.

As it is our policy to constantly seek to improve our products, we reserve the right to change the specifications of our equipment without notice.